

# 10 Zone All-in-one System

## DCM-100M

### Description:

Master Control Unit DCM-100M is with built-in Mp3, USB, and programmable timer to control a small to medium PA system of 10 Zones, it can connect up to 5pcs of power amplifier and with remote control microphone.



### Features:

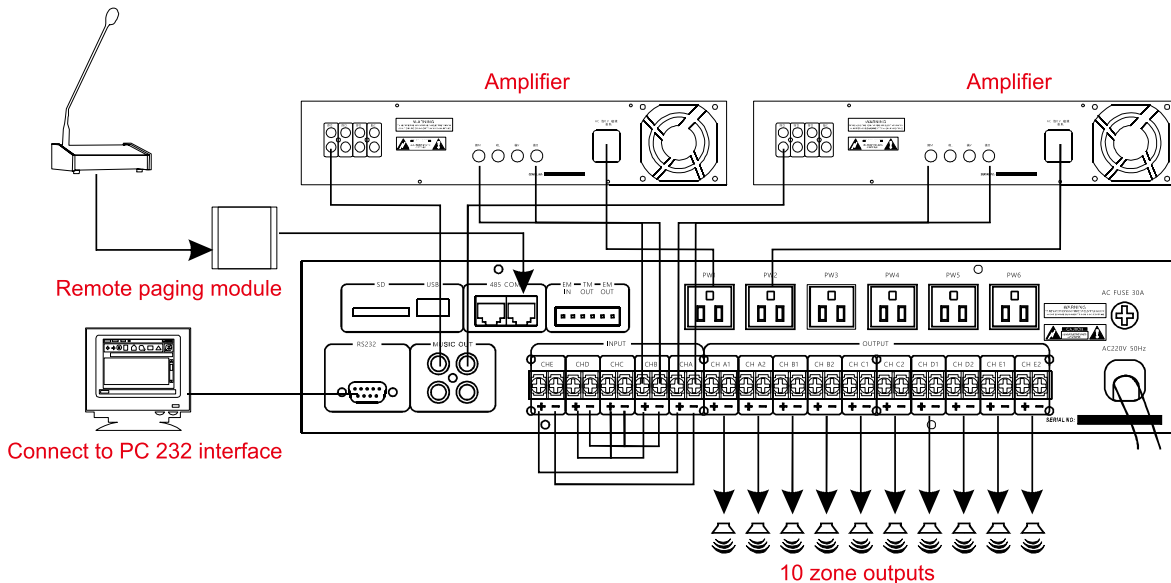
- ▶ With 192\*164 LCD display screen to see the status
- ▶ 10 individual zone for programmed or manual control
- ▶ 6 universal power supply for programmed control
- ▶ With built-in USB, Mp3, and set program to play audio tasks to specific zones as well as for the aux inputs
- ▶ Support zone paging microphone for up to 1KM remote paging And support multiple remote microphones
- ▶ cost of ownership and high reliability
- ▶ Support RS 232 protocol control

### SPECIFICATIONS

### DCM-100M

COM SPEED	9600bps
Mp3 FREQUENCY RESP.	20Hz-20KHz/±1dB
Mp3 S/N	95dB
STORAGE	SD card / USB
Mp3 FORMAT	FAT16 / FAT32
AUDIO OUTPUT	1K OHM / 1V UNBAL
AUDIO DISTORTION	0.1%
FREQUENCY RESP.	30HZ-20KHZ
TIME DISPLAY	24HOUR
COM PORT	RJ45
PROTOCOL	RS485
PC PROTOCOL	RS232
ALARM IN VOLT LEVEL	SHORTCIRCUIT 0V
ALARM OUT VOLT LEVEL	SHORTCIRCUIT 0V
POWER CONTROL VOLT	SHORTCIRCUIT 0V
POWER SUPPLY	-220V/50HZ
AC CAPACITY	6KVA, EACH 3KVA
CONSUMPTION	20W
PROTECT	AC FUSE 30A
SIZE	485X357X88MM
WEIGHT	6.5KG

Remote paging microphone





### 8-Channel Pre-Amplifier

#### Features:

- ▶ The DCM-8PA is a versatile pre-amplifier with 8 line/mic inputs, 1 emergency input and 1 microphone input on the front panel
- ▶ EMC is priority inputs, automatically muting all other signal inputs.
- ▶ MIC on the front panel has the highest priority, able to suppress all other inputs.
- ▶ With automatic mute function for paging
- ▶ Can adjust the volume of 8-Channel input and the Mic input independently



#### Model

#### DCM-8PA

Input Channel	10 Channel(8-Line/Mic, 1-EMC, 1-MIC)
Output Channel	8 Channels
Frequency Response	20Hz~20KHz
SNR	MIC: 65Db, LINE: 85dB
Power Consumption	20W
Power Supply	AC220V/50Hz
Product Size	485 × 357 × 88mm
Net Weight	4Kg